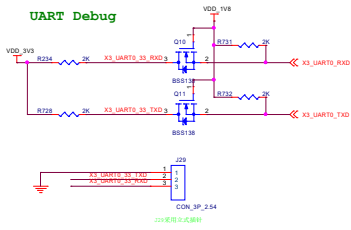
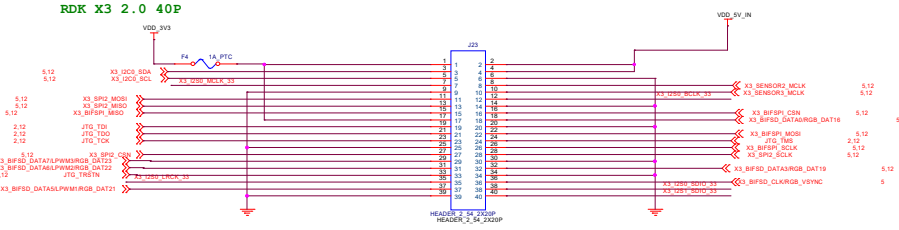


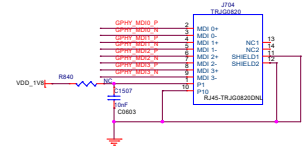
### UART Debug



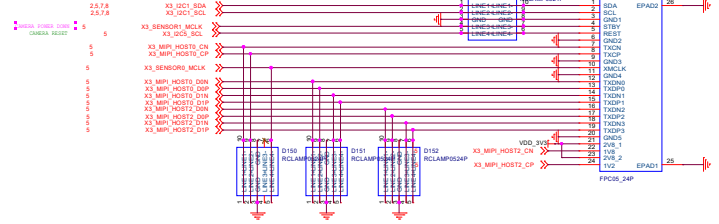
### RDK X3 2.0 40P



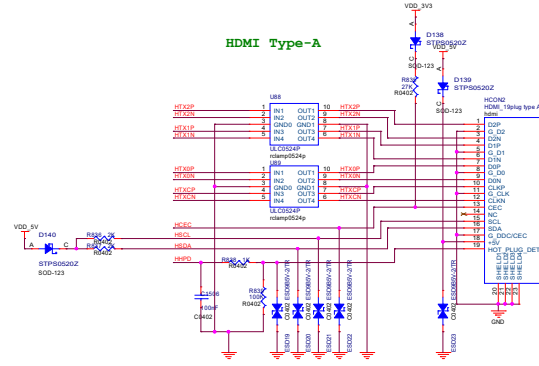
### Ethernet RJ45



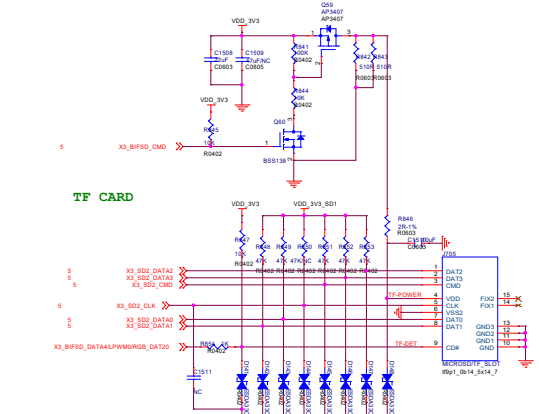
### MIPI\_CSI



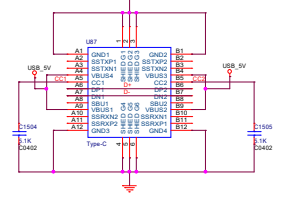
### HDMI Type-A



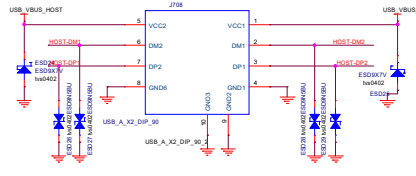
### TF CARD



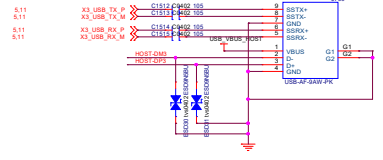
### USB Type-C Power In 5V3A



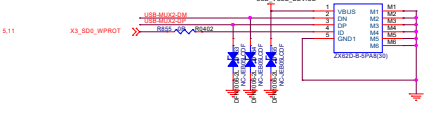
### USB 2.0 Type A ,USB HOSTx2



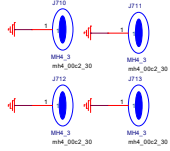
### USB 3.0 Type A,USB HOST x1



### Micro USB 2.0,USB Device x1



### 金属定位孔



### USB HOST与USB Device功能互斥