



D-Robotics

RDK Stereo Camera GS130WI



V1.1
2025-10

D-ROBOTICS HOLDING LIMITED

D-Robotics RDK Stereo Camera GS130WI



BRIEF

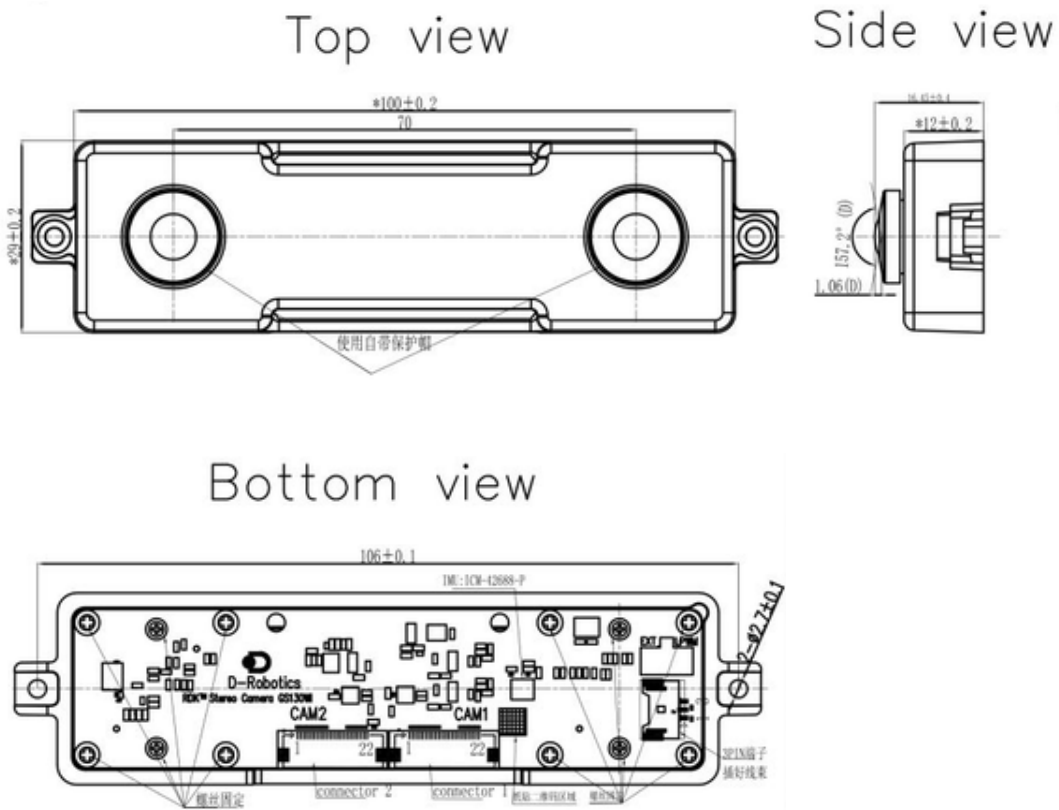
RDK™ Stereo Camera GS130WI is a MIPI-based stereo depth camera equipped with dual SC132GS global-shutter sensors and an ICM-42688-P 6-axis IMU. It supports dual-lens synchronized exposure and external triggering. With an 80 mm baseline, each channel delivers 1280 × 1080 resolution at up to 120 fps, featuring high dynamic range (HDR), 40 dB SNR, and 850/940 nm NIR enhancement. It is ideal for robotic vision, industrial inspection, and real-time motion tracking applications.

SPECIFICATIONS

Module No.	D-Robotics RDK™ Stereo Camera GS130WI
Module Size	100 × 29 × 12 mm
Sensor Type	SC132GS
IMU	ICM-42688-P
Array Element	1080H × 1280V
Pixel Size	2.7 μm × 2.7 μm
Power Supply (I/O)	1.8V
Working Temperature Range	-30° C ~ +85° C
Optimum Operating Temperature Range	-20° C ~ +60° C
Max Frame Rate	1080H × 1280V @10bit 120fps
	1080H × 1280V @10bit < 60fps (HDRC on)
	1080H × 1280V @10bit 120fps (HDRC off)
Output Formats	RAW RGB / RAW MONO

SPECIFICATIONS

Dimension

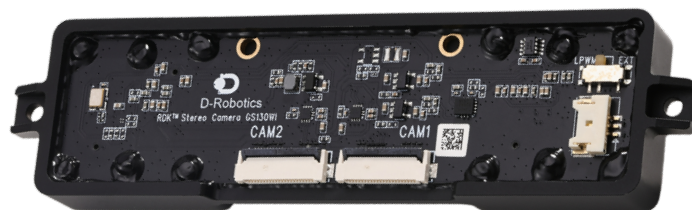


For detailed specifications, please visit : <https://developer.d-robotics.cc/en>

SAFETY INSTRUCTIONS

To Avoid Malfunction Or Damage:

- This product is intended for use exclusively with the RDK X5 and RDK S100.
- Do not expose the device to water or moisture during operation. Avoid placing it on conductive surfaces.
- Damage caused by connecting incompatible devices is not covered under warranty or support.





<https://developer.d-robotics.cc>